



Rindo
2022 Assembly Guide



Rindo
2022 Assembly Guide

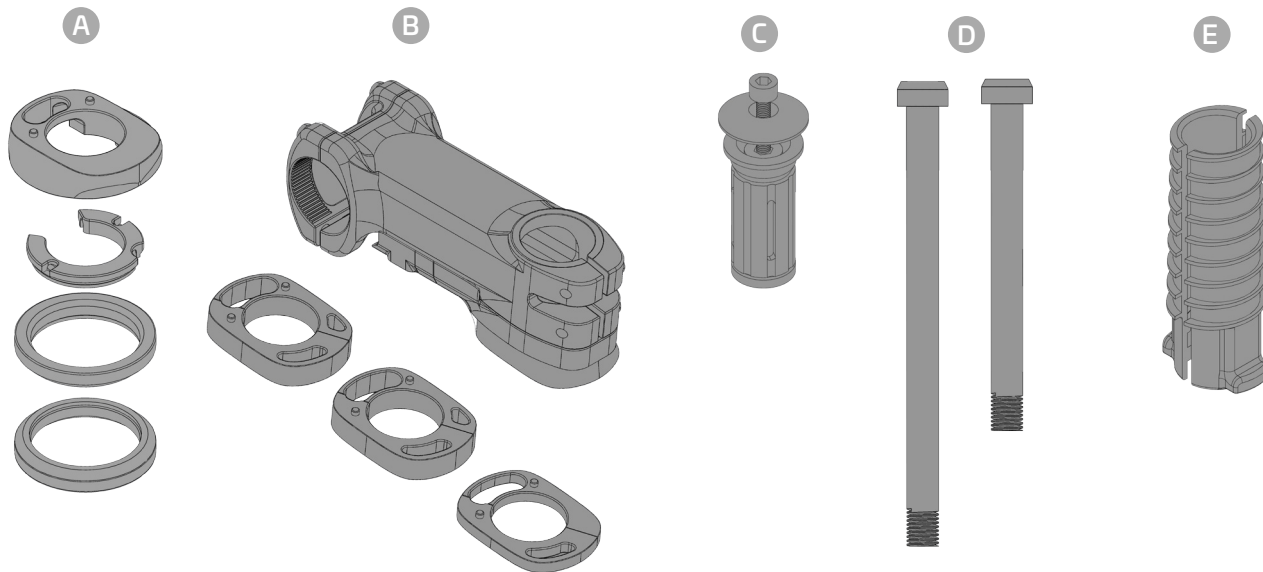


TABLE OF CONTENTS

1. Parts included in the BOX.....	4
2. FSA SMR Stem.....	5
3. Brake Hose Routing.....	7
4. Electric Cable Routing & Installation.....	8
5. Mechanical Cables Routing SRAM.....	10
6. Mechanical Cables Routing Shimano.....	11
7. Clamp Installation.....	12

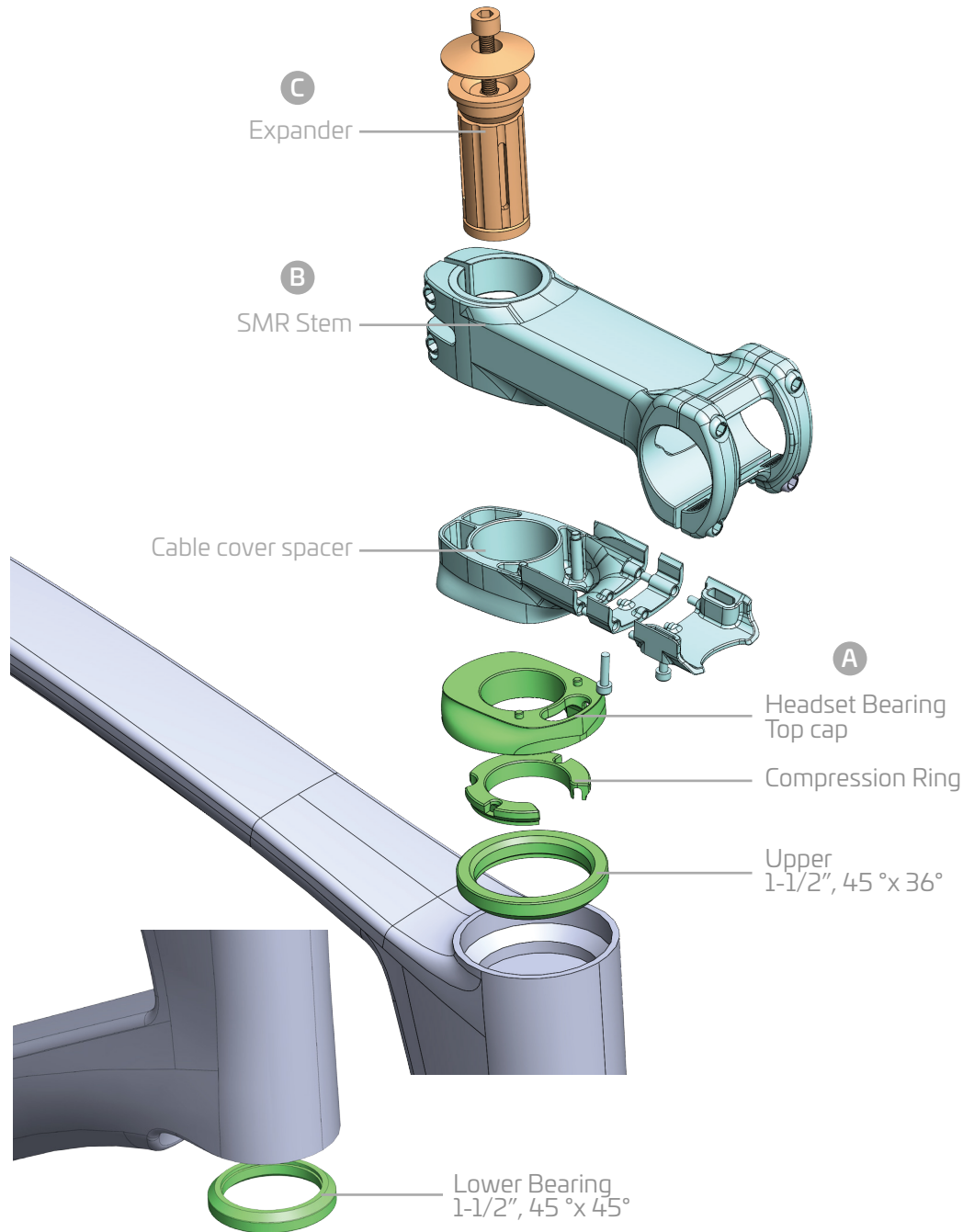


1. Parts included in the BOX



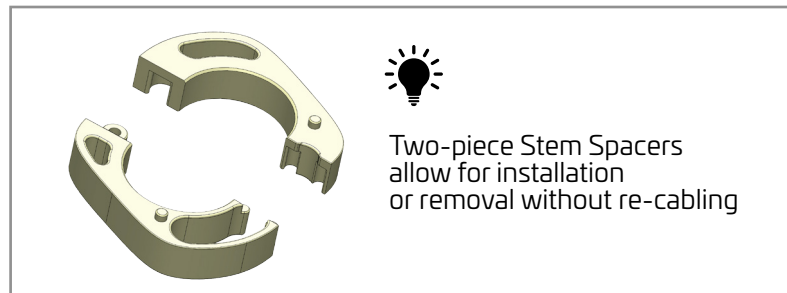
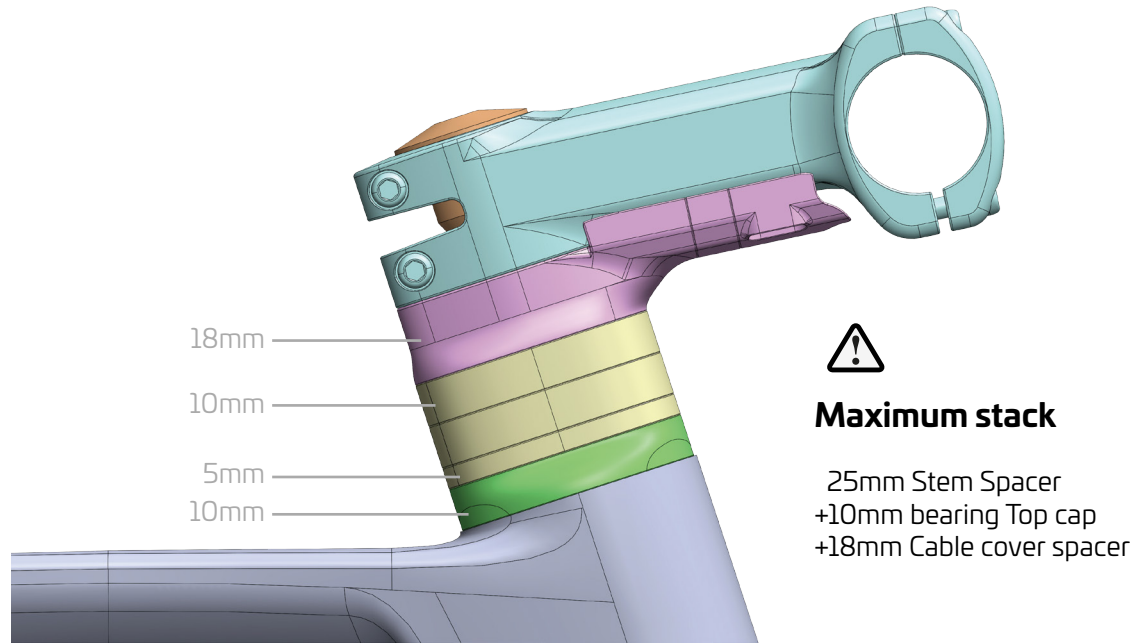
- A** Headset
FSA No55R 1.5" CR STD
- B** Stem & Spacers
FSA SMR Stem, for integration cables
Spacers 1cm X 1pc, 2cm X 2pcs
- C** Expander
For ID 23mm fork
- D** Thru Axles
- E** Battery sleeve mount inside of seat o
- F** Seat Clamp 27.2

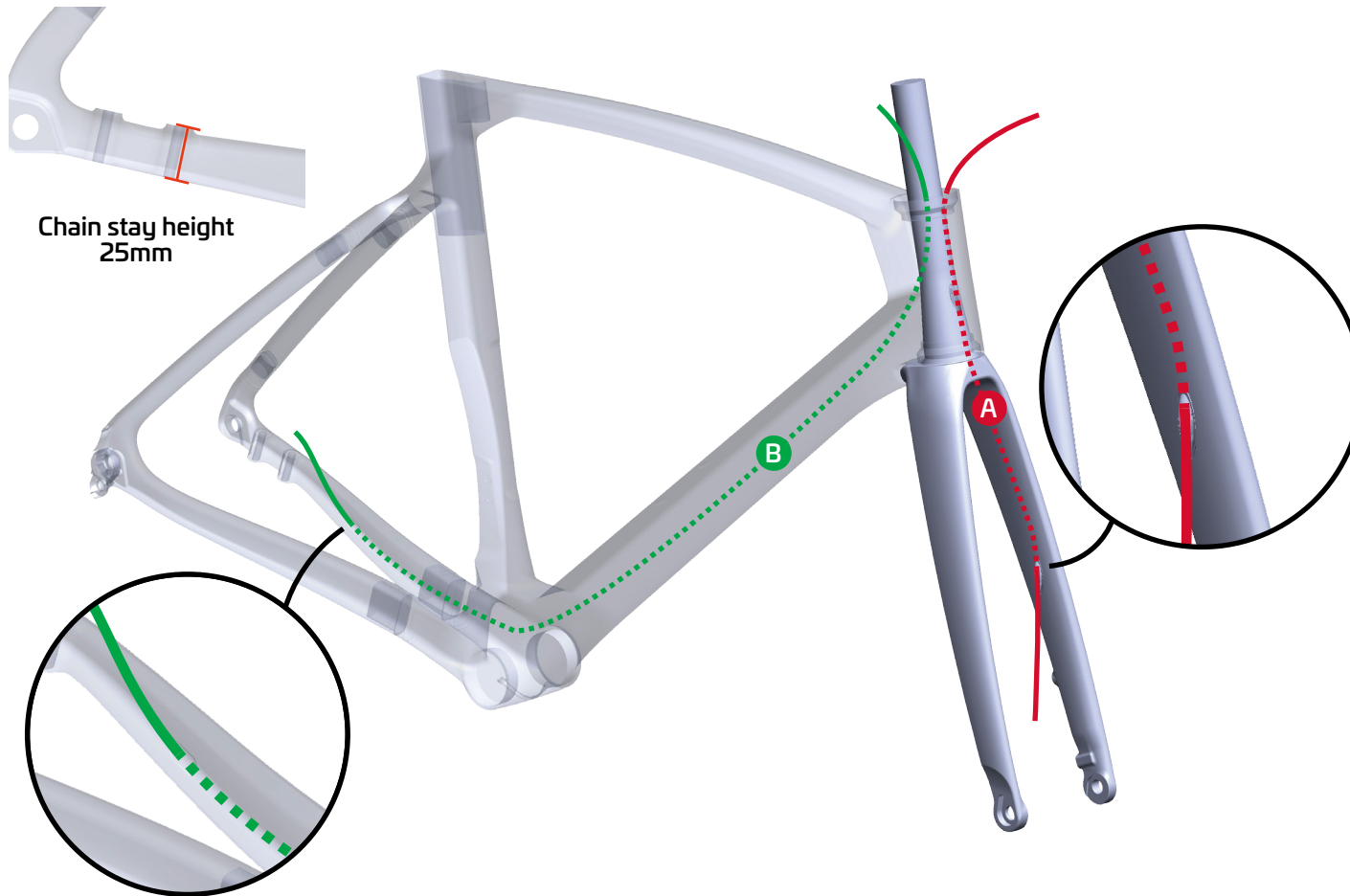
F Seat Clamp 27.2



2. FSA SMR System

2. FSA SMR System (suite)





3. Brake Hose Routing

A Front Brake Hose

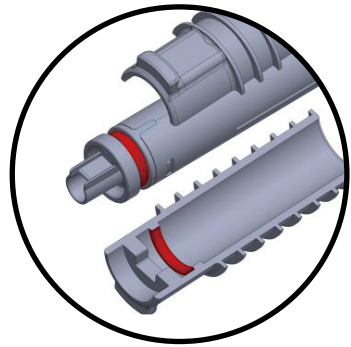
A single brake hose can pass through the fork steerer, so it doesn't require a connector bushing.

B Rear Brake Hose

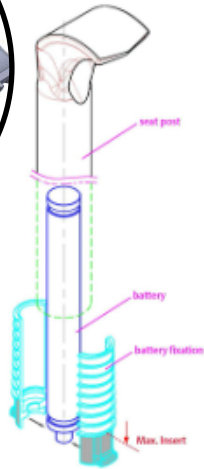
If the rear brake is on the right hand, route the hose around the drive side of the fork inside the headtube.



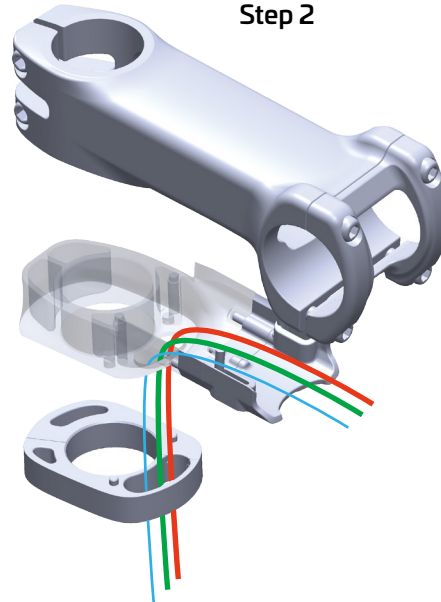
These routing illustrations are intended as installation instructions only. For both hydraulic and mechanical disc brakes, please refer to that component's website to find further information.



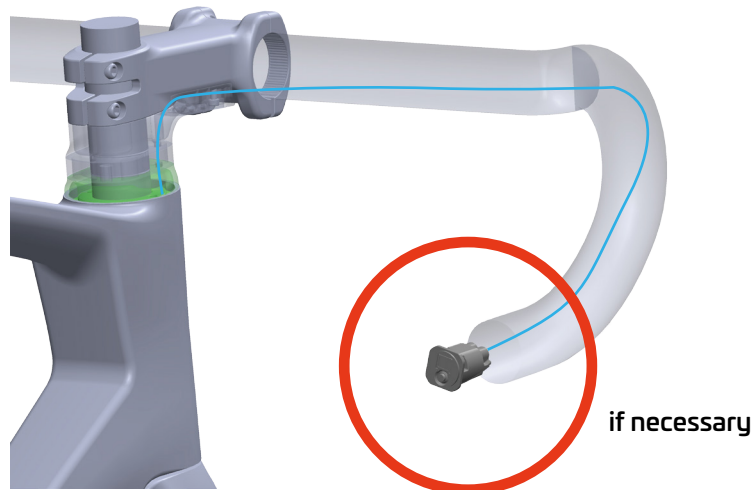
Step 1



Step 2



Step 3



4. Electric Wire Routing & Installation

Step 1

Secure battery in the Di2 Battery Collar.

Make sure to align the grooves.

Step 2

Insert all cables through the compression ring opening, and upper bearing and bearing cap.

Step 3

Install Di2 Junction-A in dropbar.

-  Front Brake Hose
-  Rear Brake Hose
-  Di2 Wire

4. Electric Wire Routing
& Installation (suite)



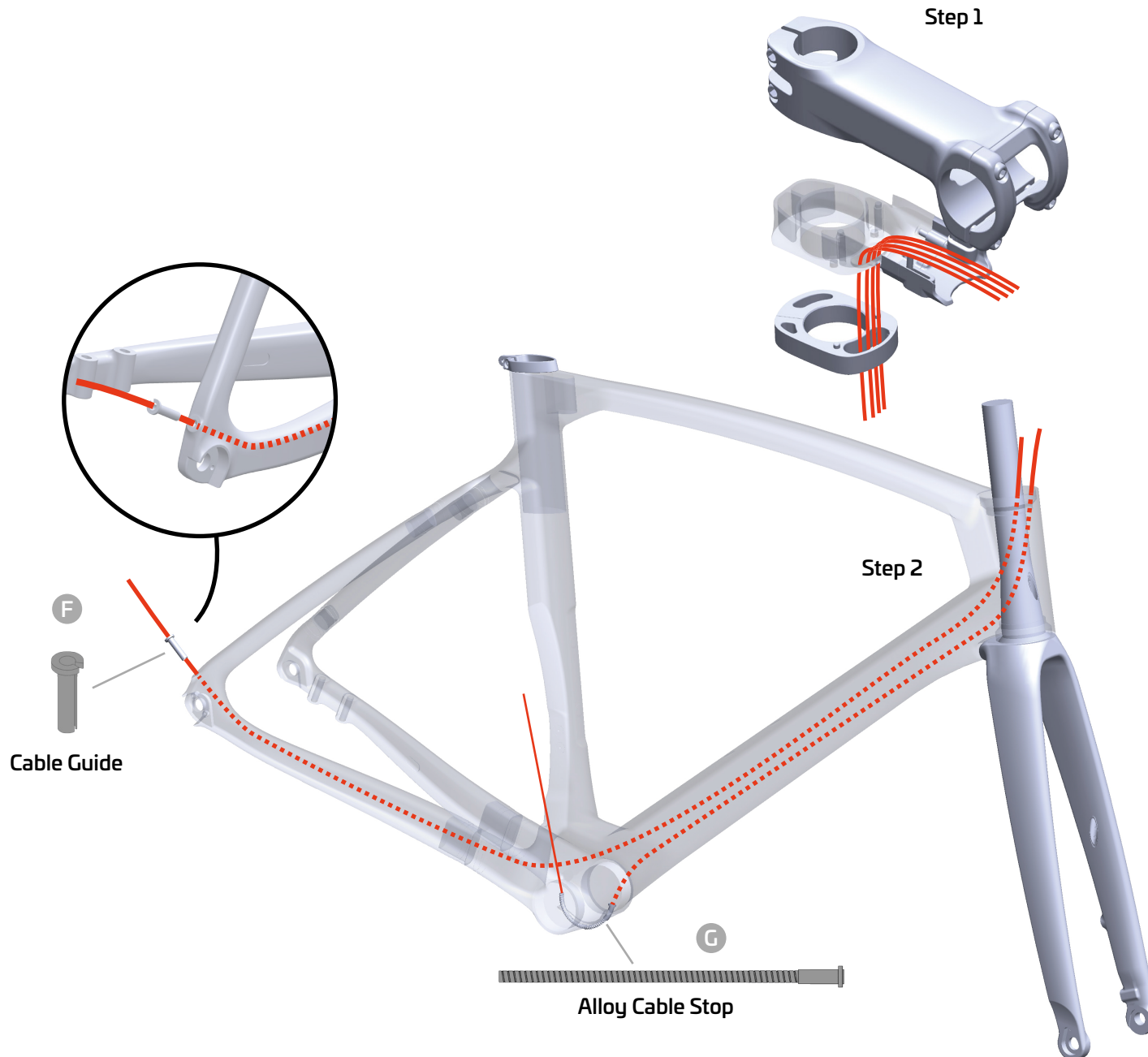
Step 4

Step 4

Connect the Di2 wires.

— Di2 Wire

5. Mechanical Cable Routing & Installation - **SRAM**



Step 1

All cables go through the compression ring opening, the upper bearing and the bearing cap.

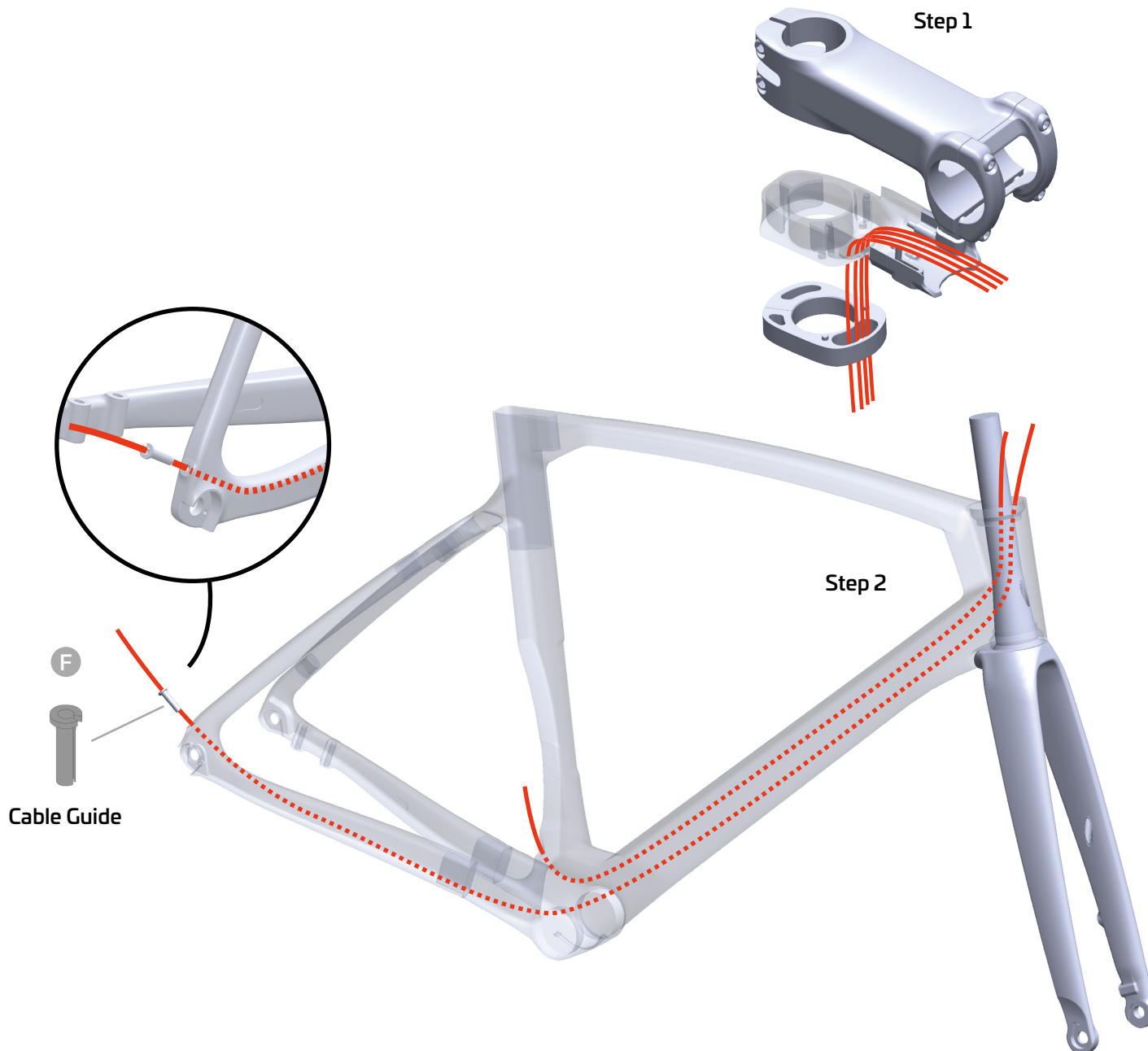
Step 2

Feed the cables through the frame.



For a SRAM front derailleur, there needs to be an alloy cable stop.

6. Mechanical Cable Routing & Installation - **Shimano**



Step 1

All cables through the compression ring opening, and upper bearing and bearing cap.

Step 2

Feed the cables through the frame.



For Shimano groupsets, all mechanical cable hoses connect directly to the derailleurs.