



---

*Viper*  
2019 Assembly Guide

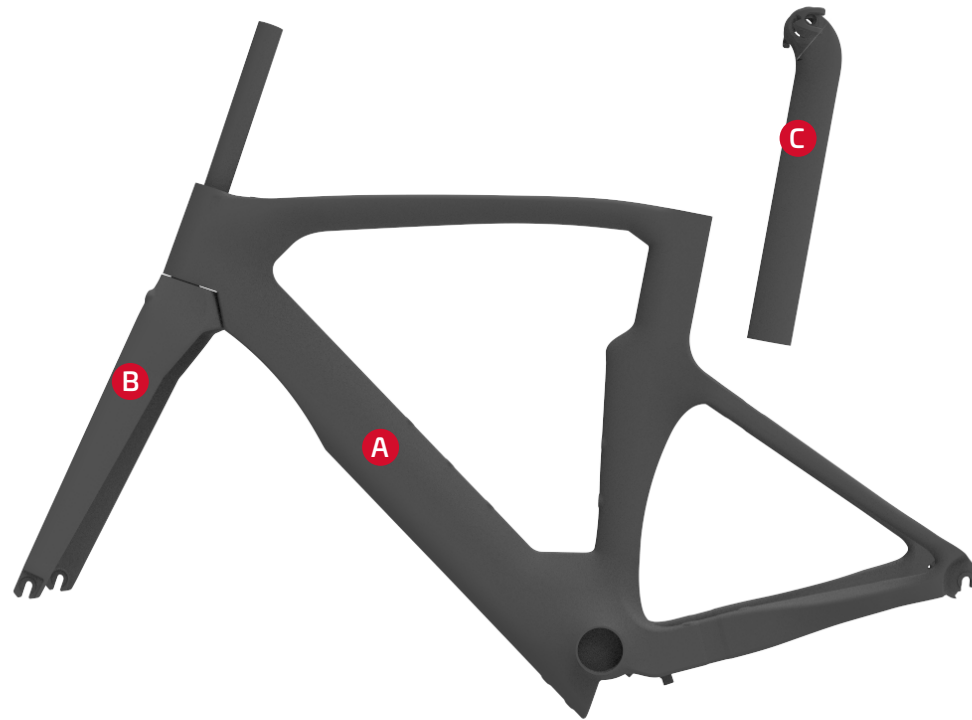


Viper  
2019 Assembly Guide



## TABLE OF CONTENTS

1. Frameset Parts .....	4
2. Parts included in the BOX.....	5
3. Cables Map - Rear Brake .....	6
4. Cables Map - Mechanical.....	7
5. Cables Map - Electronic.....	8
6. Di2 Battery Installation.....	9
7. CO <sub>2</sub> Adaptor Installation.....	10
8. Headset Installation .....	11
9. Seatpost Installation.....	12



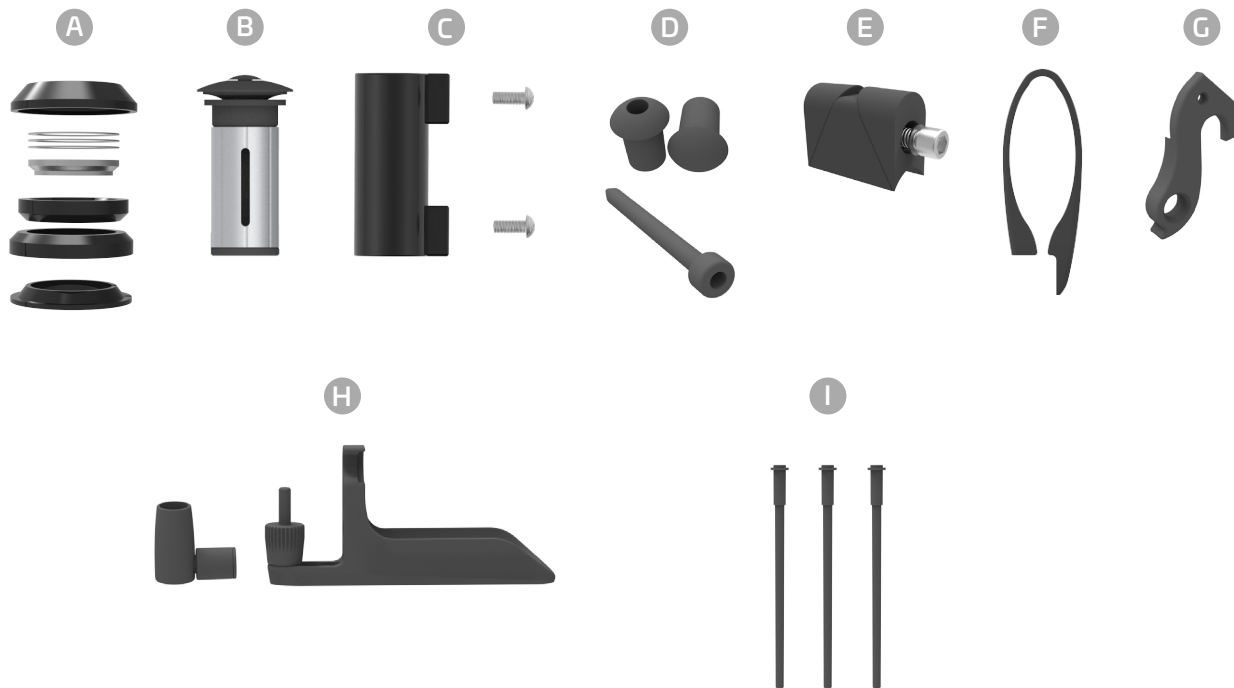
## 1. Frameset Parts

---

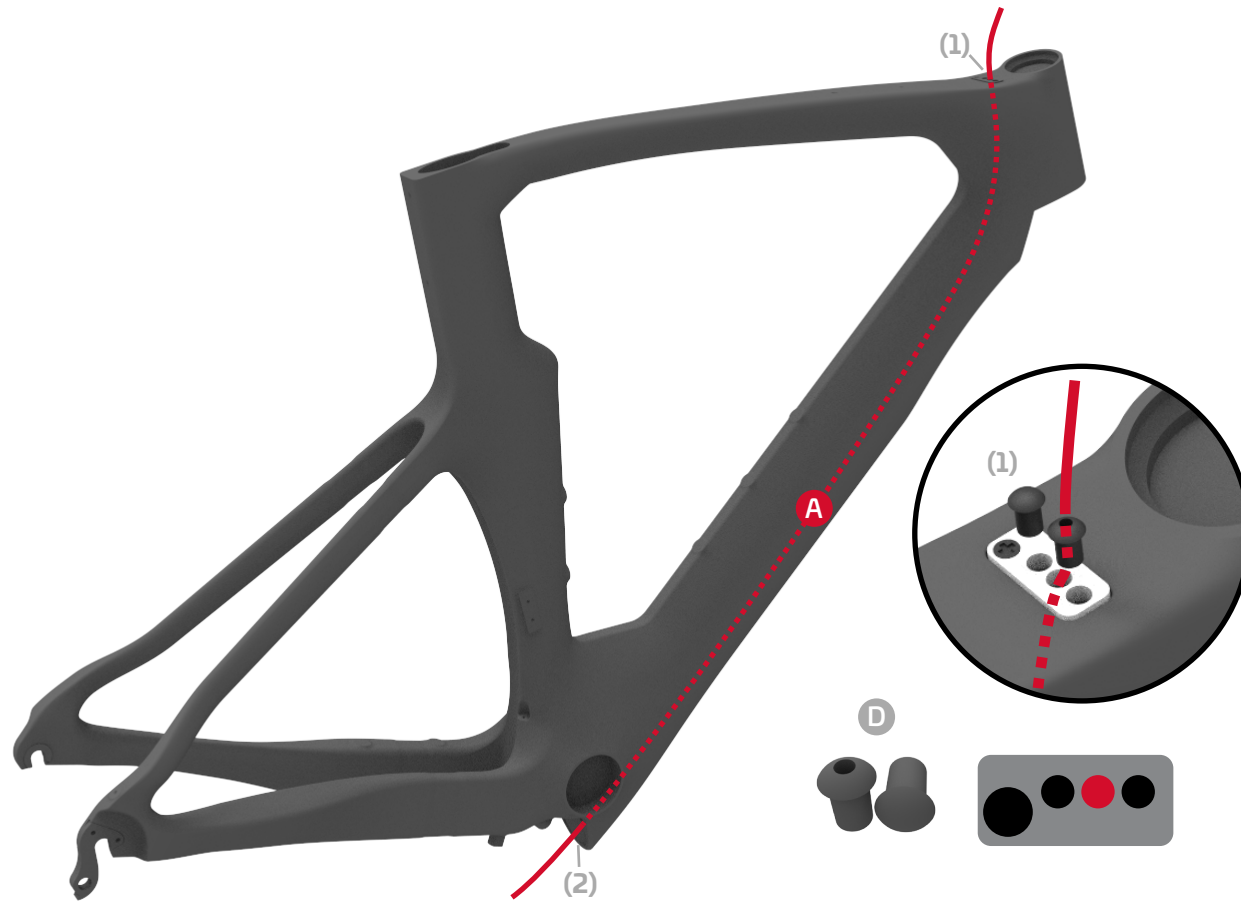
- A** 40T high-modulus carbon frame
- B** 40T high-modulus carbon Fork
- C** 40T high-modulus carbon Reversible Seatpost



## 2. Parts included in the BOX



- A Headset
- B Expander
- C Di2 battery adaptor
- D Grommets
  - short grommet with hole (2pcs)
  - short grommet without hole (1pc)
  - long grommet (1pc)
- E Clamp
- F Mini clamp
- G Grommets
- H CO2 Adaptor
- I Alloy Pipes (3pcs)



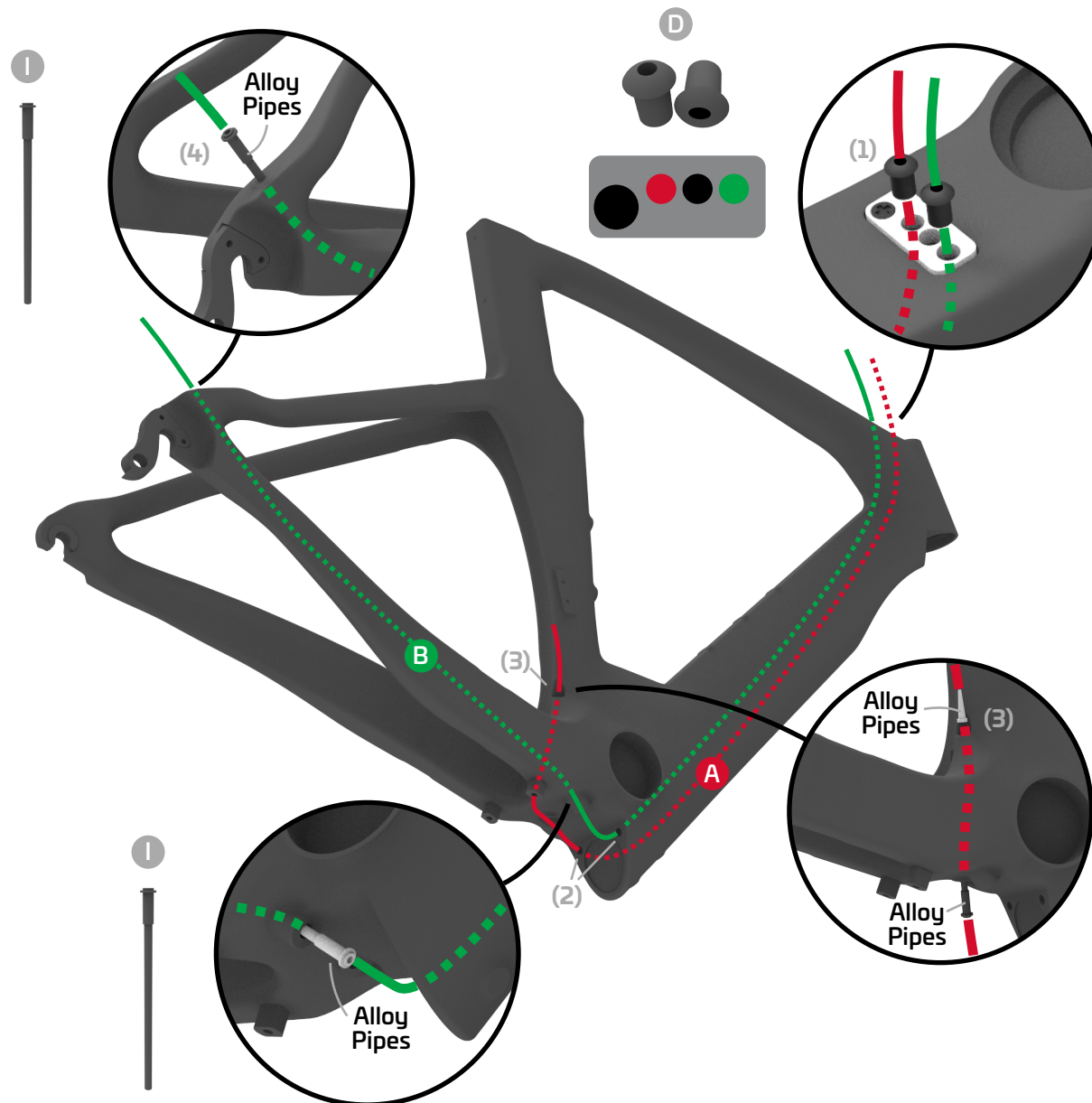
### 3. Cables Map - Rear Brake

#### **A** Rear Brake Cable

Cable entry (1) is located on top tube near the head tube. Thread the cable casing into the appropriate hole until you can grab it at the bottom down tube exit (2), then guide it toward brake caliper.



*No special parts or tools needed.*



### 4. Cables Map - Shiftings

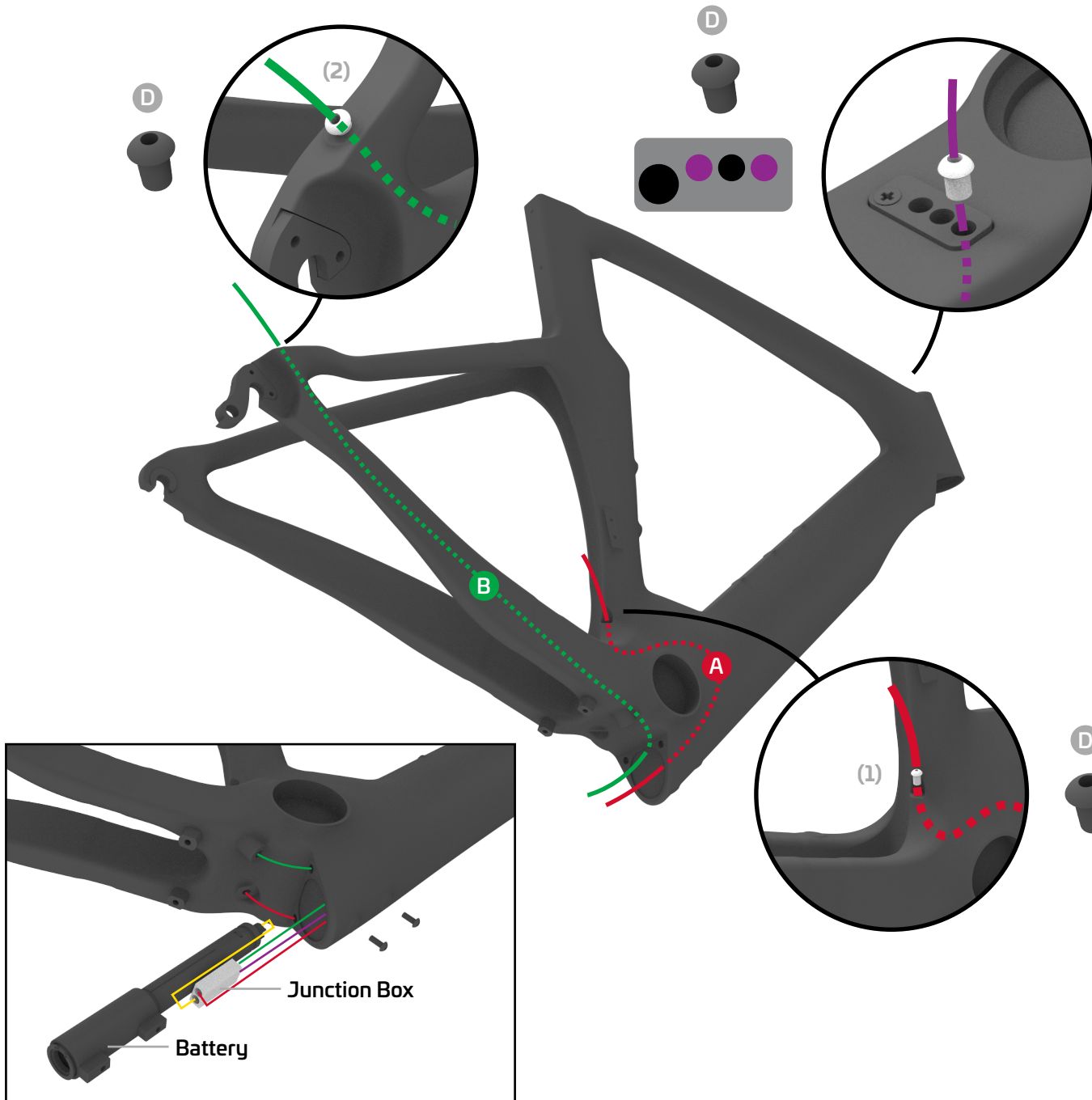
#### **A** Map Front Derailleur (mechanical)

Cable entry (1) is located on top tube near the head tube. Thread the cable casing until you can grab it at the bottom down tube exit (2), then guide it toward front derailleur exit hole (3).

#### **B** Map Rear Derailleur (mechanical)

Cable entry (1) is located on top tube near the head tube. Thread the cable casing until you can grab it at the bottom down tube exit (2), then guide it toward rear derailleur exit hole (3).

### 5. Cables Map - Shiftings



#### **A** Map Front Derailleur (electronic)

From the battery junction box, guide it toward front derailleur exit hole (1).

#### **B** Map Rear Derailleur (electronic)

From the battery junction box, guide it toward rear derailleur exit hole (2).

— Battery Wire

— Shifting Wire

— Front Derailleur

— Rear Derailleur



## 6. Di2 Battery Installation

### Step 1

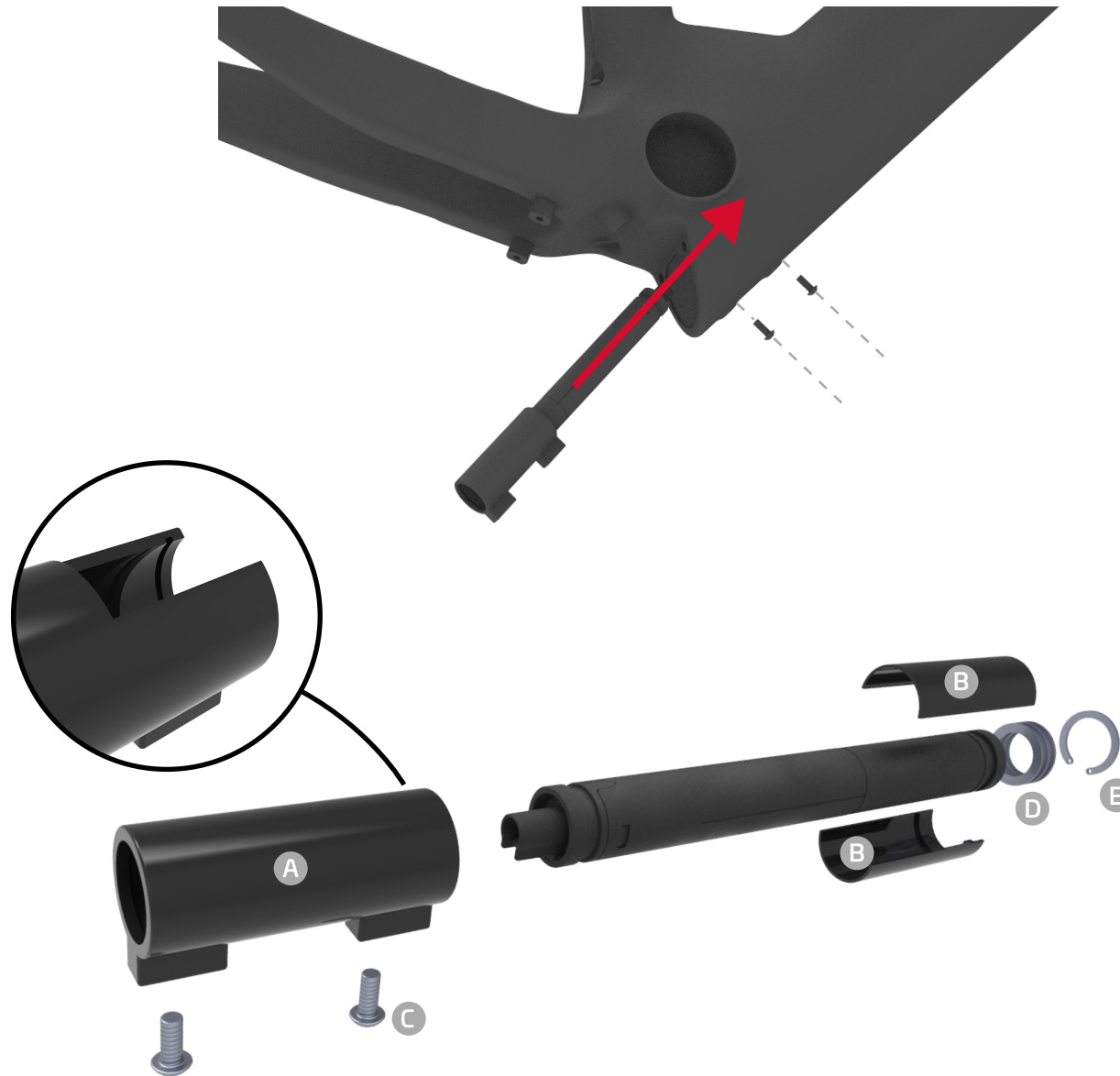
Secure battery in the provided battery holder.

### Step 2

Hold the battery in place by hand while screws are put in place to hold battery assembly inside.



*We suggest to tape or tie wrap excess cable and Shimano junction to the battery before installation.*

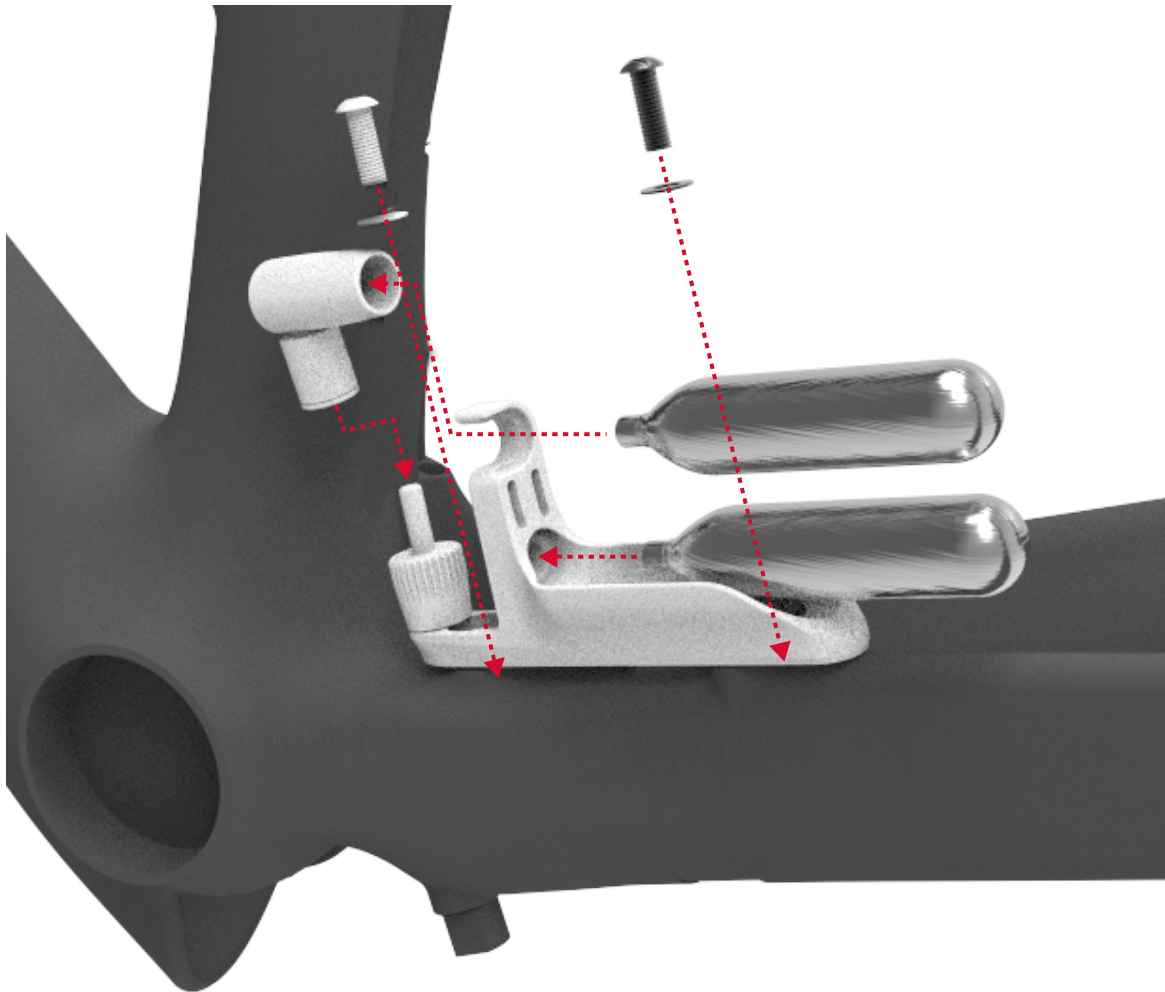


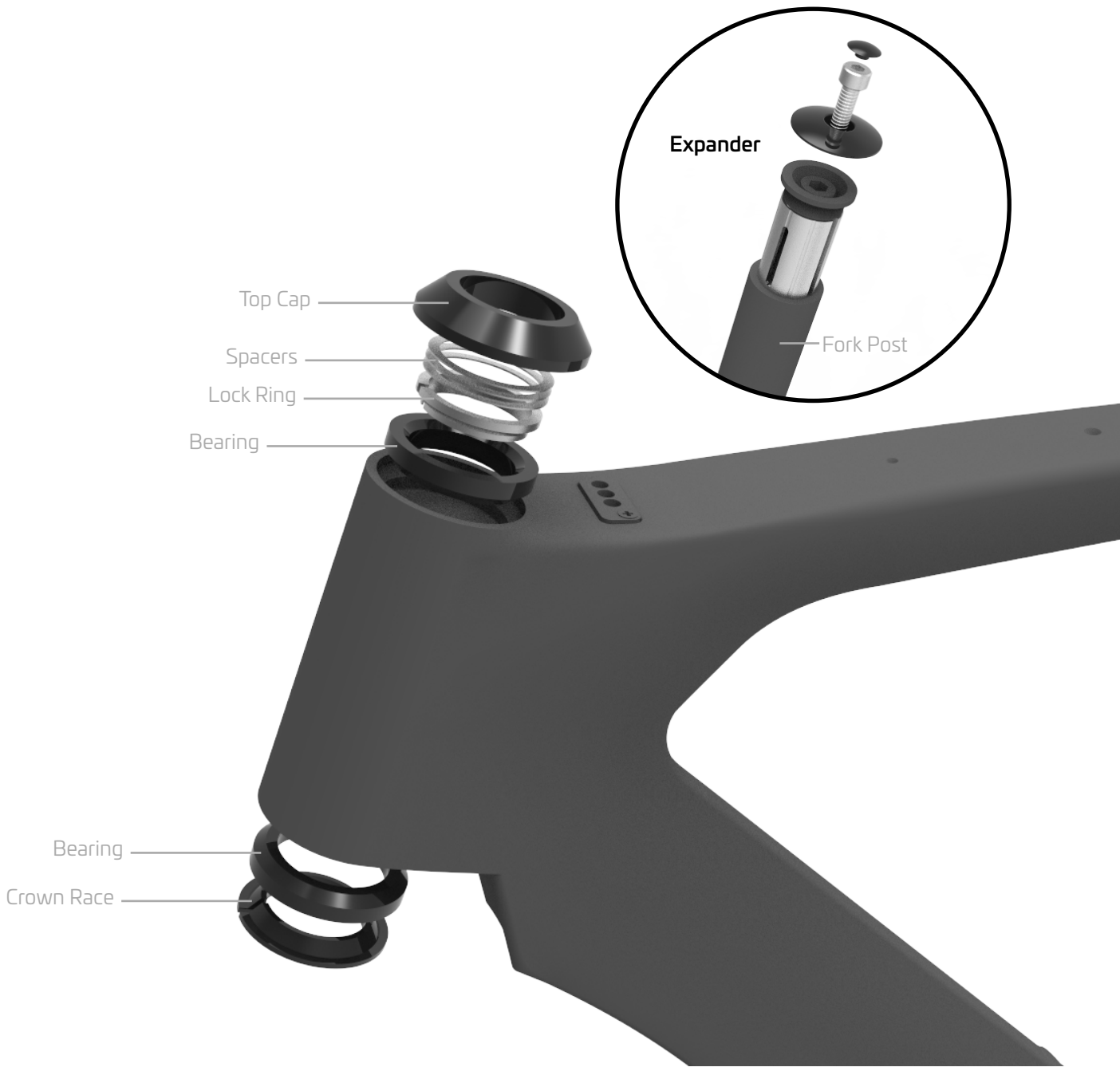
- A** Di2 Battery Holder
- B** Di2 Battery Collar
- C** Adaptor Bolts
- D** Washer
- E** Internal Circlip

## 7. CO<sub>2</sub> Adaptor Installation

---

Follow beside configuration.



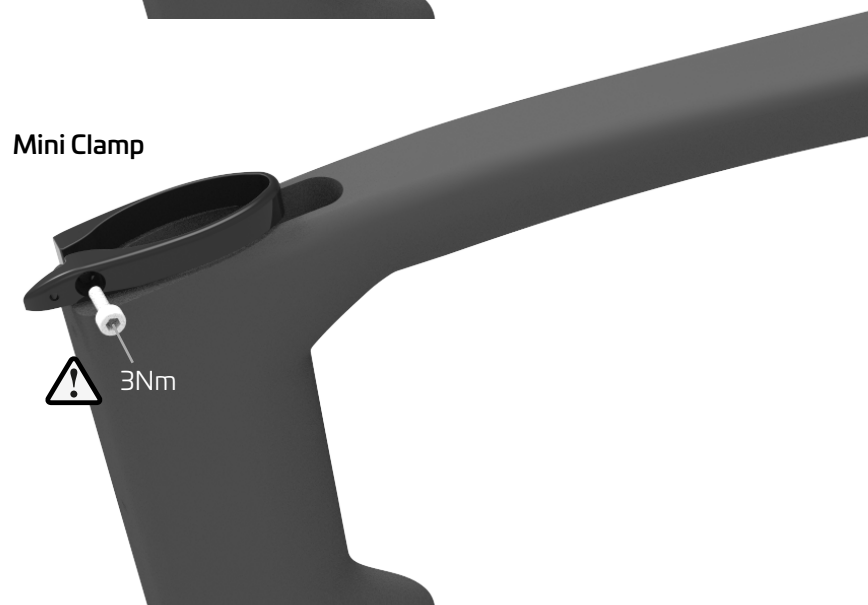
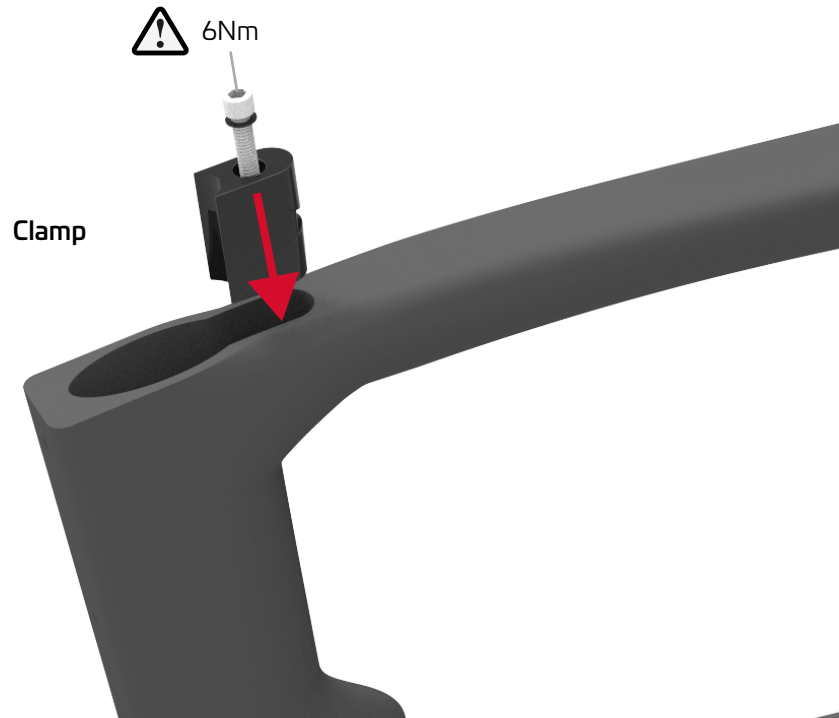


## 8. Headset Installation

Headset installation is standard.



***Adjust the number of spacers to make sure there is no interference between the top cap and head tube.***



## 9. Seatpost Installation

*Ceepo reversible seat post is secured via 2 clamps.*

### Clamp

Wedge type must be placed inside clamp pocket inside frame, paying attention to have access to Allen key bolt head so you can tighten it.

### Mini Clamp

Our Mini-clamp is to be placed on seat post prior to Installation.



*The mini clamp remains on seat post when removing it for travel.*